

# POWER YOUR FUTURE

## Cummins Generator LG440C

# KTAA19-G5

Prime Power: 440KW/550KVA

Standby Power: 484KW/605KVA



## GENERATING POWER SOLUTIONS

### Increased availability for new operations

Reliable, robust and versatile generator.  
Ready to deliver power for a next job.

### Increased uptime during operations

Once installed on the end-user-site, the generator will be ready to run: "peace of mind" operation.

### Reduced transport and installation costs

The compact and robust design with integrated transport features enables faster and safer transport and installation.

### Reduced service & maintenance costs

Longer service intervals.  
Quicker and more efficient service jobs.

### Premium resale value

Designed and built to last.

### SAFETY

- Operate safely in accordance with proper operation manual.
- To prevent trouble and accidents, perform daily and preventive maintenance checks without fail.

## Cummins Series 25KVA--2000KVA



## FUAN LONGKAI POWER CO.,LTD.

Headquarters:

Add: Wei 5 Road, Tiehu Industrial Zone, Fuan, Fujian, China

Tel: +86-0593-6309773 Fax: +86-0593-6586988

E-mail: sales@longkaipower.com

Web: www.longkaipower.com

## Technical Data

LG440C

Model	LG440C	
Rated prime power	kva	550
Rated standard power	kva	605
Rated voltage line to line	V	400/230
Rated current	A	794
Maximun sound level	dB(@7m)	≤100

### Engine-DCEC Cummins

Model	KTAA19-G5	
Aspiration	Turbo, Air/Air cooling	
Fuel system	PT type	
No. cylinders	6 in line	
Displacement	Liquid	19
Bore*Stroke	mm	159*159
Compression ratio	13.9: 1	
Rated speed	r/min	1500
Rated net power(with fan)	Kw	470
Governor type	EFC Electrical	
Start Motor	V	24

### Exhaust System

Exhaust gas flow	L/s	1997
Exhaust gas temp	°C	429
Max back pressure	kPa	10

### Aspiration System

Max inlet pressure	kPa	6.23
Combustion volume	L/s	750
Air flow	L/s	722

### Fuel System

100% load(Prime power)	Kg/h	96
75% load(Prime power)	Kg/h	73
50% load(Prime power)	Kg/h	48
Fuel tank capacity	L	950

### Lubrication System

Oil capacity	L	50
Oil consumption	g/kwh	0.85
Oil pressure	kPa	345-483
(continuous operation)		

### Cooling System

Coolant capacity	L	26.5
Thermostat operation range	°C	82-93
Max water temperature	°C	104

### Alternator

Model	LONGKAI	LK544D
	STAMFORD	HCI544D-S5L1D-D4/S5L1S-D4
Phase	3	
Voltage	V	400/230
Wiring Type	3 Phase 4 wire, Y type	
Bearing	1	
Power factor	0.8	
Frequency	Hz	50
Prime power	KW	440
Exciter Type	Brushless, self-excitation	
Voltage regulation	%	±0.5
Protection Grade	IP 23	
Insulation grade	H/H	
Altitude	m	≤1000

### Controller-DEEPSEA

Model	DSE6120MK3
-------	------------

Protective functions:

- Low oil pressure
- High water temperature
- High/low voltage
- High Engine Temperature and Overspeed.
- Voltage regulator frequency regulator
- Emergency stop
- Start failure



### Control Module Options



- Auto generator control module
- Control module with "Three Remote Control" functions
- ATS auto load transfer screen
- Synchronising control modules
- Power output cabinet

### Standard Features

- Engine(CCEC Cummins)
- Radiator 50°C max,fans are driven by bel
- 24V charge alternator
- Alternator: single bearing alternator IP23, insulation class H/H
- Standard auto control system
- One set of air filter, fuel filter, oil filter
- Main line circuit breaker/MCCB
- Base fuel tank
- Two 24V batteries, rac and cable
- Exhaust system(Ripple flex exhaust pipe, exhaust siphon, flange, muffler)
- User manual

### Options

- Battery charge
  - Engine heater
  - Alternator heater
  - PMG
  - Water oil separator
  - Daily fuel tank
  - Remote control panel
  - Automatic transfer switch/ATS
  - Switch box
- Standard: ●                      Options:○

### Warranty\*

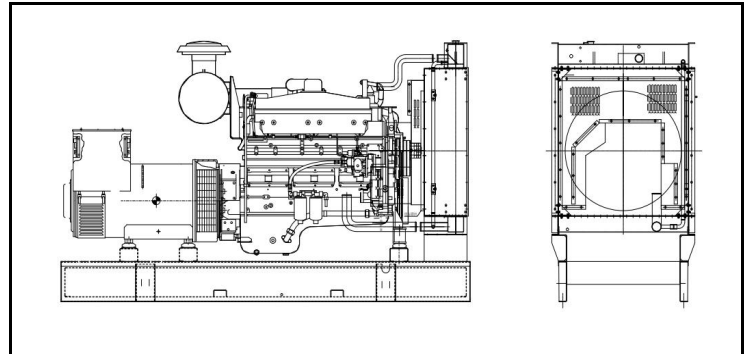
#### Cummins Engine

12 months from date of purchase and 1000 hours.

#### Generator

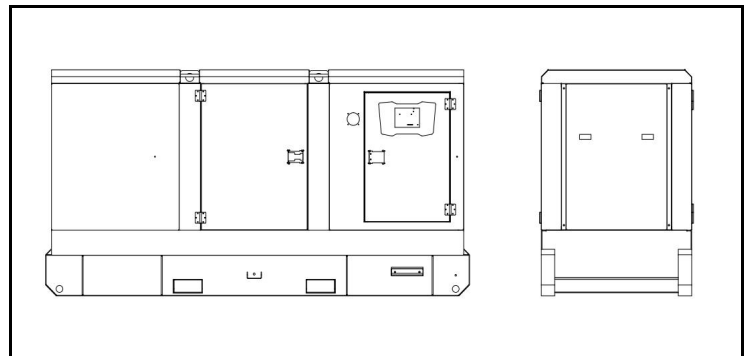
12 months from date of purchase or 1000 hours (whichever occurs first).

### Unit Dimensions(Basic unit)



#### Open Type

L*W*H	mm	3500*1525*2220
Weight	kg	4100



#### Silent Type

L*W*H	mm	4888*1800*2500
Weight	kg	5300